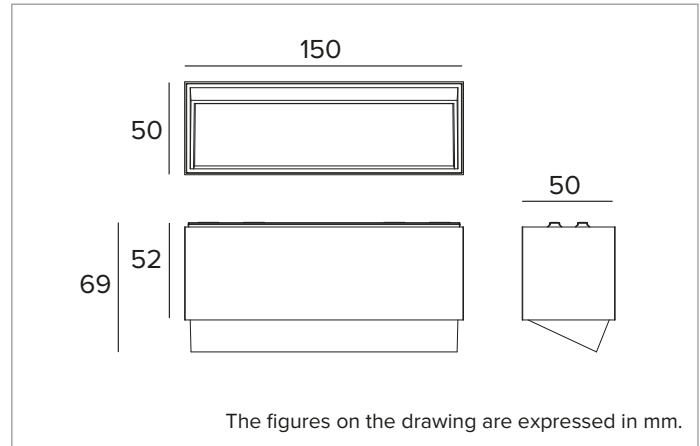


2T0126DD | OZ Lighting module - Wall Washer

Wall Washer magnetic LED light modules, powered at low voltage



		4000K	H(m)	D1(m)	D2(m)	E _{max} (lx)
		Ra90	36°	76°		
Fixture Power	18W	1	0.69	1.61	1657	
Source Flux	2583lm	2	1.39	3.22	414	
Fixture Flux	1849lm	3	2.08	4.84	184	
Efficacy	104lm/W	4	2.77	6.45	104	
TS1841	I _{max} =683cd/klm	I _{max}	1764cd	5	3.47	8.06 66



SOURCE

High efficiency Chip on Board LED Ra90.

Energy efficiency class: E

Nominal power: 16W

Nominal flux: 2583lm

Colour rendering index: 90

Rf: 90

Rg: 98

CCT nominal: 4000K

Lifetime (L80/B10): >50000h tq +25°C

ILLUMINOTECHNICAL CHARACTERISTICS

Wall Washer optical system: a high reflectance anodised aluminium reflector, holographic diffuser filter, frame in black polycarbonate.

Optic: WALL WASHER

Optical efficiency: 72%

Fixture flux: 1849lm

Luminous efficacy: 104lm/W

Photobiological safety: Compliant with RG1 low risk group

MECHANICAL CHARACTERISTICS

White painted die-cast aluminium body. Sizes 150x50mm.

Colour and finish: Plaster white

Dimensions: 50x150mm

Weight: 0.24Kg

Version: DIGITAL DIMMING

Degree of protection: IP20

ELECTRICAL CHARACTERISTICS

Fixture Power: 18W

Power supply: 48Vdc

Insulation Class: CLASS 3

Class F: YES

Ambient temperature: 0°C / +25°C

INSTALLATION

Extremely rapid, versatile and simple mechanical and electrical coupling system using magnets which support the fixture on the Power Track and feed power inside the fixture on all versions.

NOTES

Digital Dimming version. 110-277Vac version available on request.

WARRANTY

5 years.

Due to the technological evolution of the electronic components, the data provided may be updated, and as such, confirmation must be requested during the order process.

Luminous flux and power supply have +/-10% tolerances with respect to the indicated value. tq +25°C (CIE 121).

We reserve the right to make technical changes.

Targetti Sankey S.r.l.
Via Pratese, 164
50145 Firenze - Italy
Tel: +39 055 37911
targetti.com
targetti@targetti.com

CCIAA Firenze
Share Capital:
€ 500.000,00
VAT N. (IT):
01537660480
R.E.A: FI-275656

TARGETTI